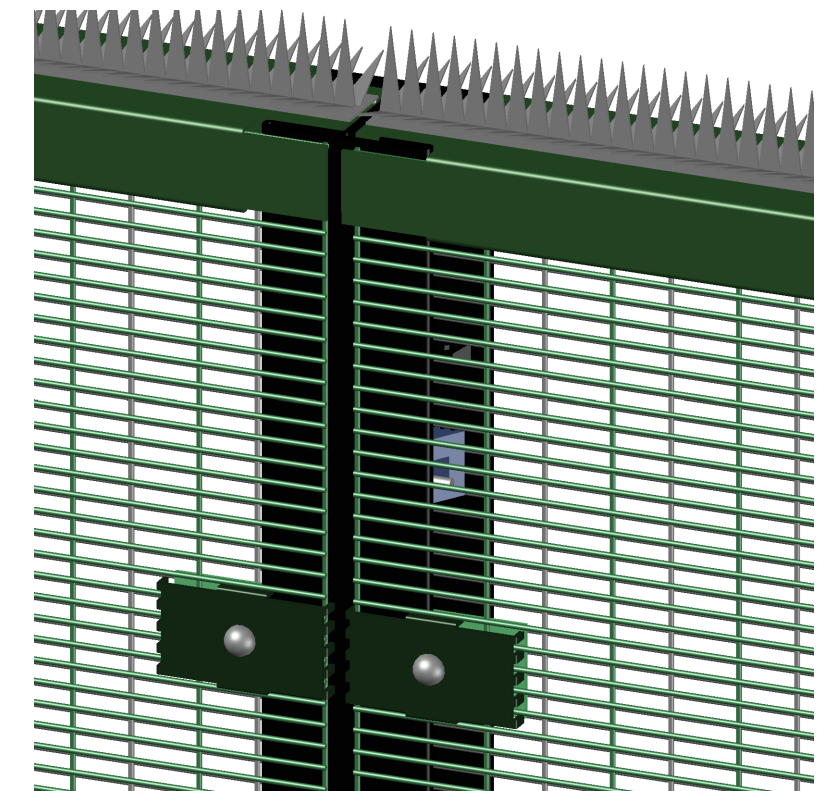

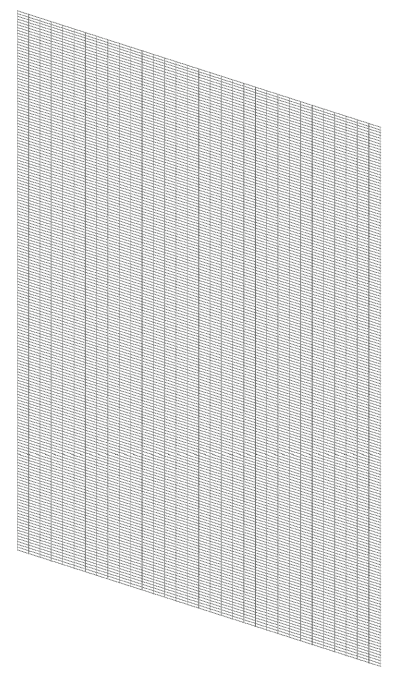
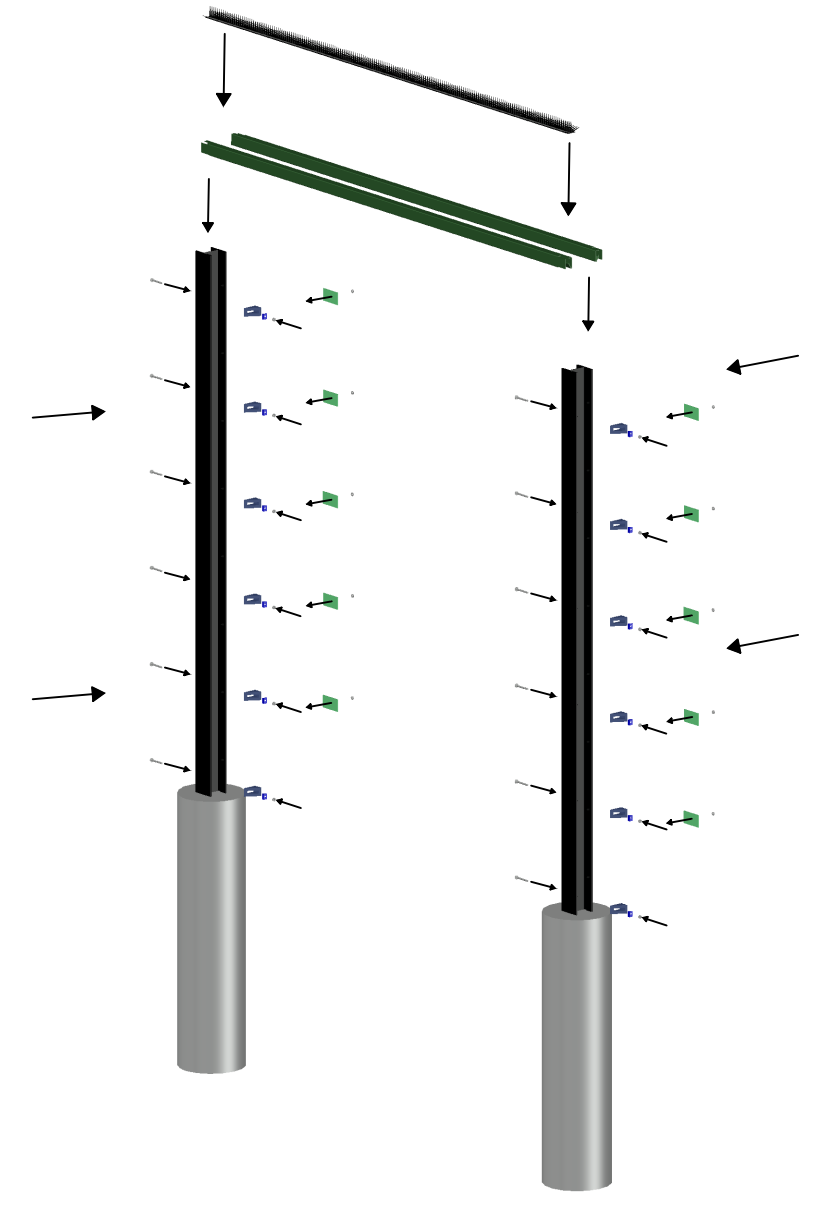
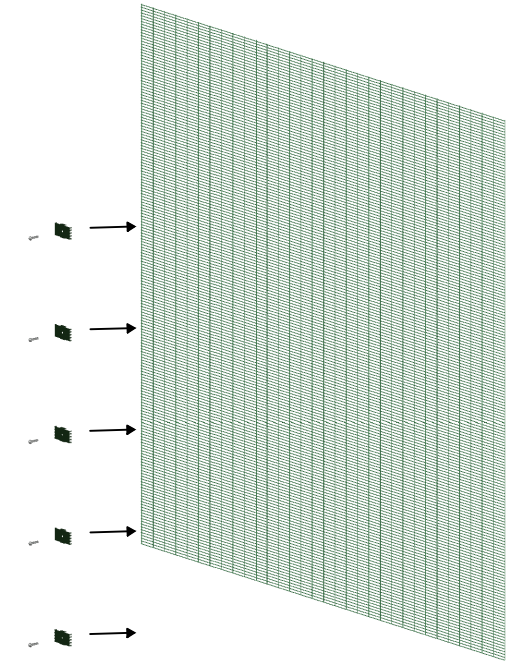
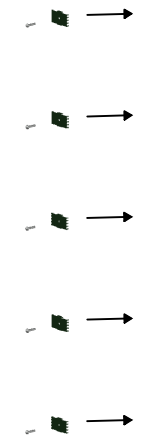
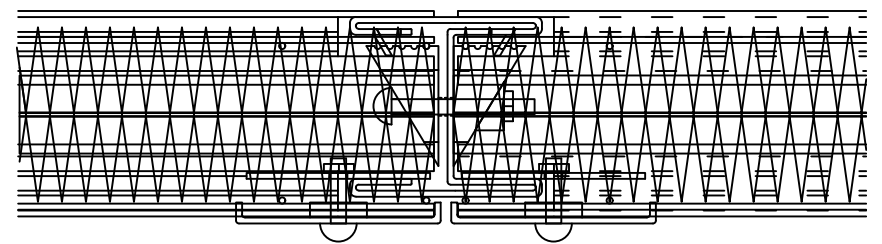
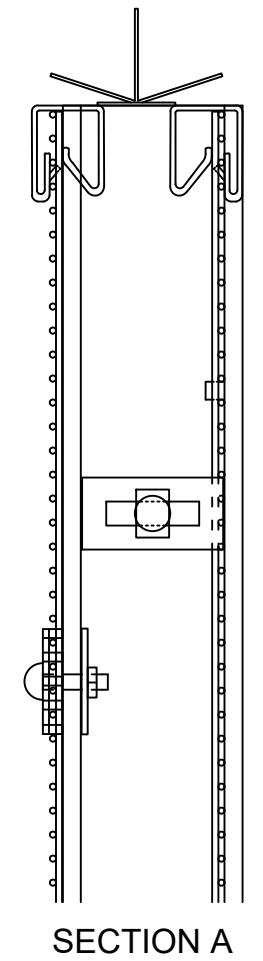
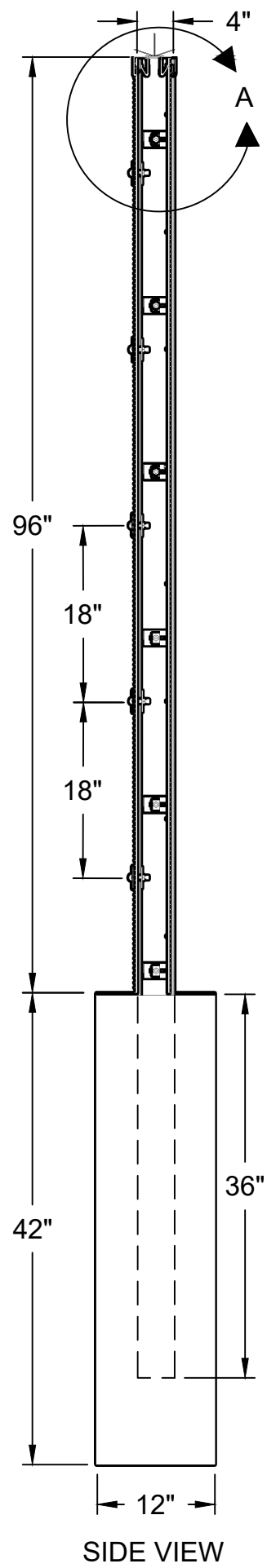



FRONT ISO VIEW

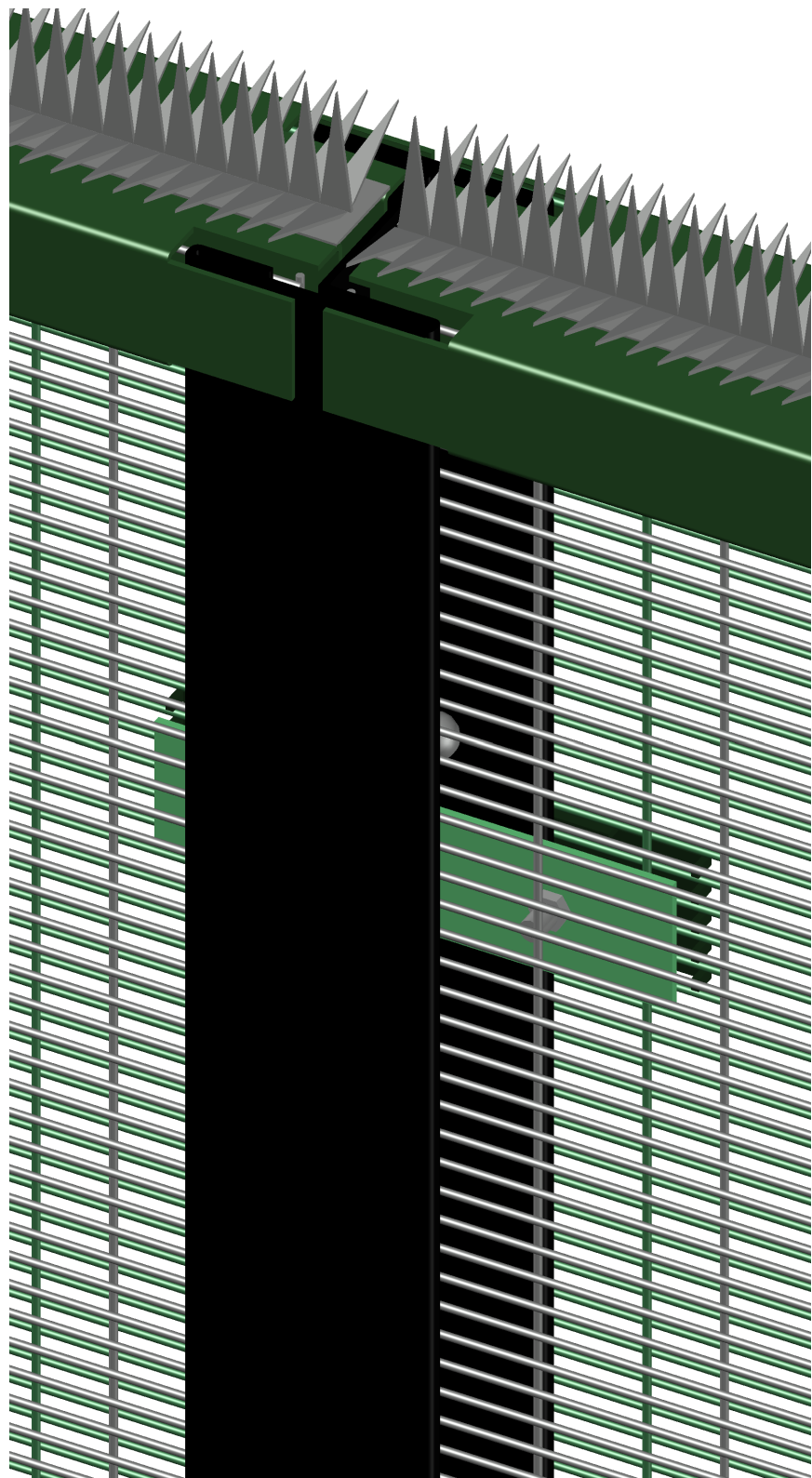


BACK ISO VIEW

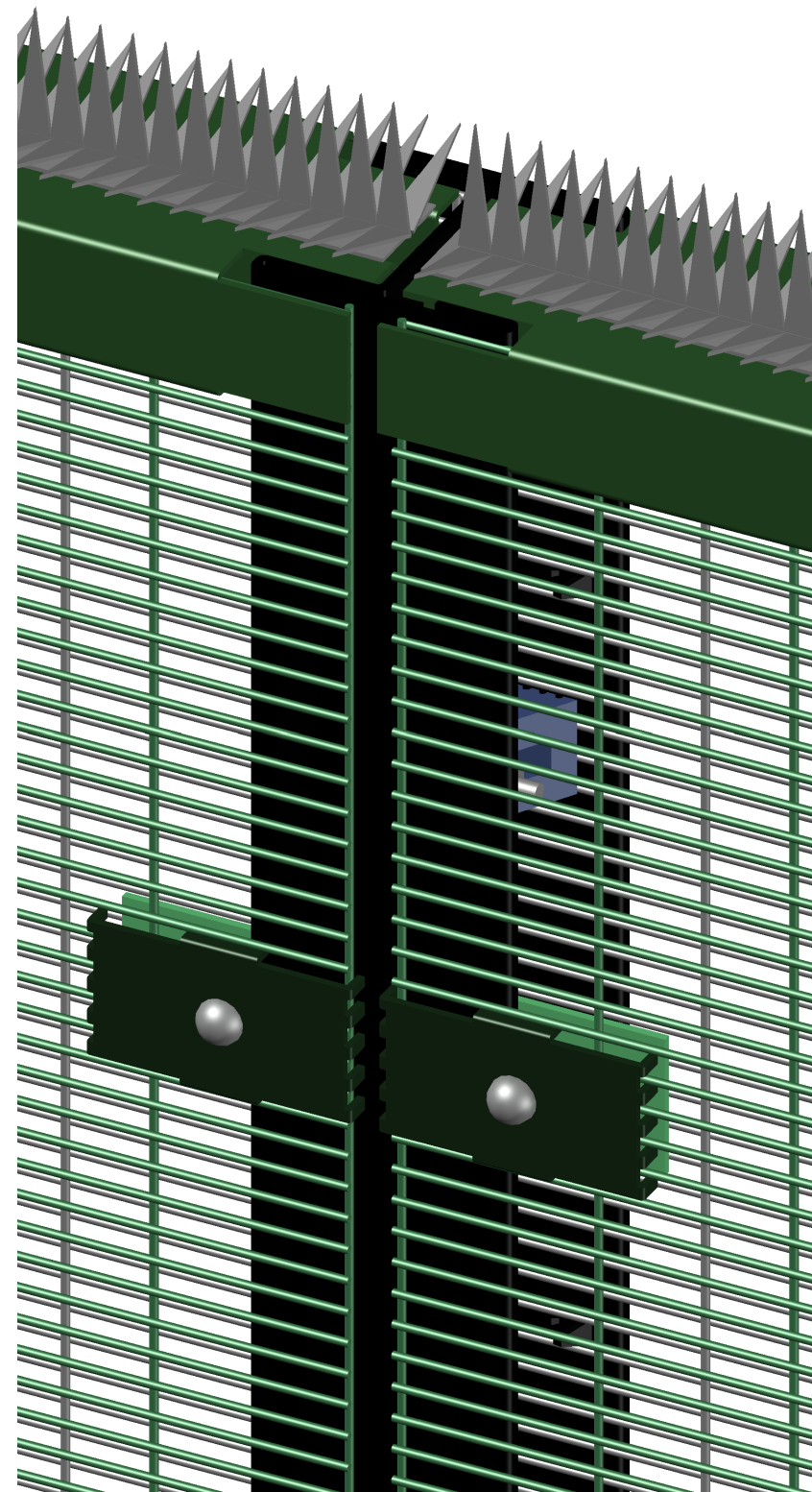
DESCRIPTION: BSP ARMOR MESH LEVEL 3 TYPE 2				PROJECT: STANDARD DRAWING			
REVISION #	DESCRIPTION:	DATE:	BY:	CHECKED BY NG	DATE 06/10/2025	 BLACK SECURITY PRODUCTS	
				DRAWN BY BF	SHEET 1 OF 1		
				DRAWING #	SCALE NTS		



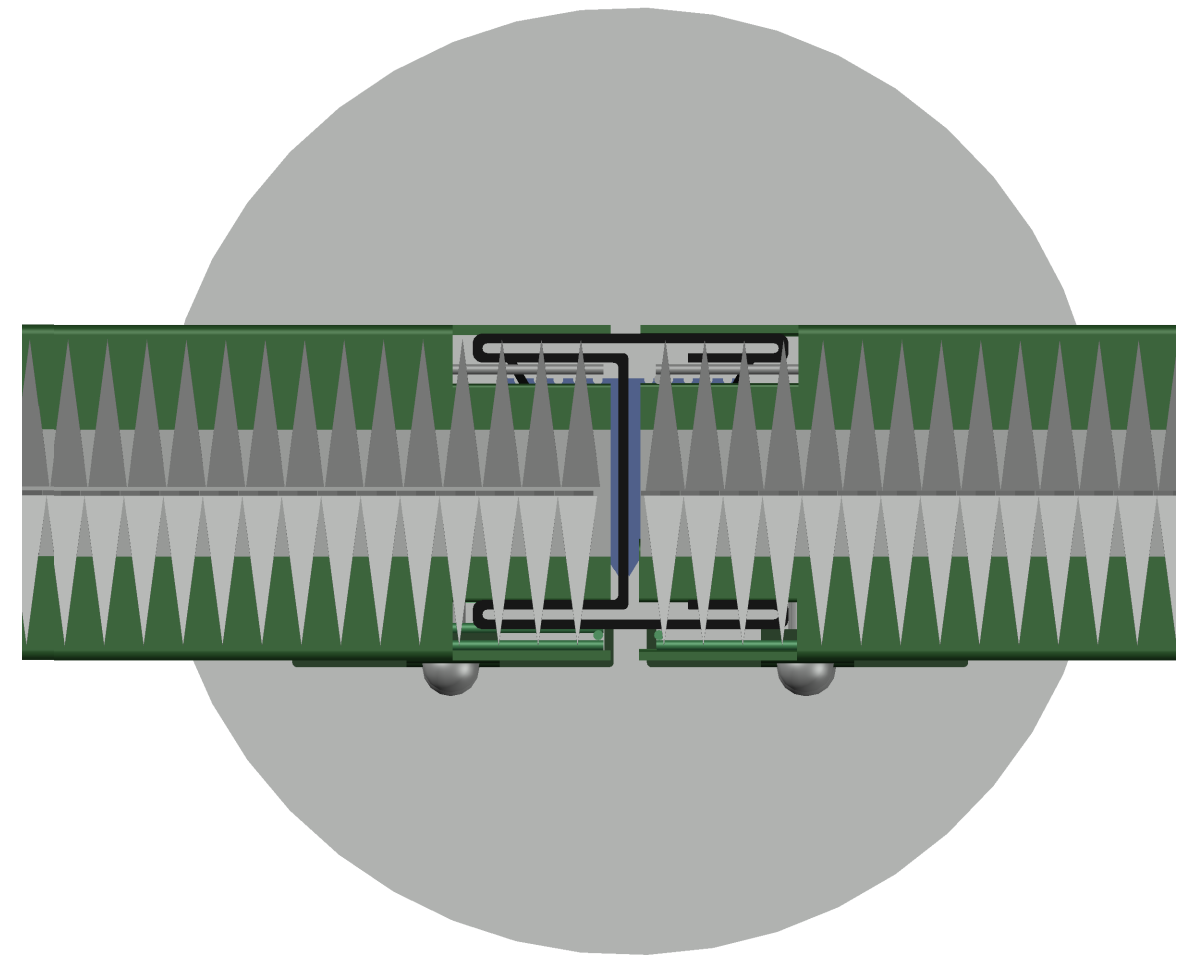
REVISION #		DESCRIPTION:		DATE:	BY:	CHECKED BY NG	DATE 06/10/2025
						DRAWN BY BF	SHEET 1 OF 1
						DRAWING #	SCALE NTS
				DESCRIPTION:		PROJECT:	
				BSP ARMOR MESH LEVEL 3 TYPE 2		STANDARD DRAWING	
 BLACK SECURITY PRODUCTS							



FRONT ISO VIEW



BACK ISO VIEW



TOP ISO VIEW

DESCRIPTION: BSP ARMOR MESH LEVEL 3 TYPE 2				PROJECT: STANDARD DRAWING	
---	--	--	--	------------------------------	--

REVISION #	DESCRIPTION:	DATE:	BY:	CHECKED BY NG	DATE 06/10/2025
				DRAWN BY BF	SHEET 1 OF 1
				DRAWING #	SCALE NTS

