

# BSP

BLACK SECURITY PRODUCTS



**Product Document**

## Palisade Fence

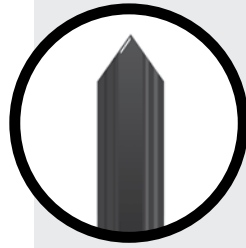
W Shaped Pale Profile System

**SECURITY THROUGH INNOVATION**

## Pickets

BSP Palisade Security Fencing offers three head styles offering a high level of security, and the profile of the steel picket makes scaling the fence difficult. The pickets are attached to the support members using break-away nuts and anti-pry bolts. In the instance where a picket has been damaged, you can replace individual pieces versus replacing the entire section(s).

### HEAD STYLE OPTIONS



SINGLE POINT



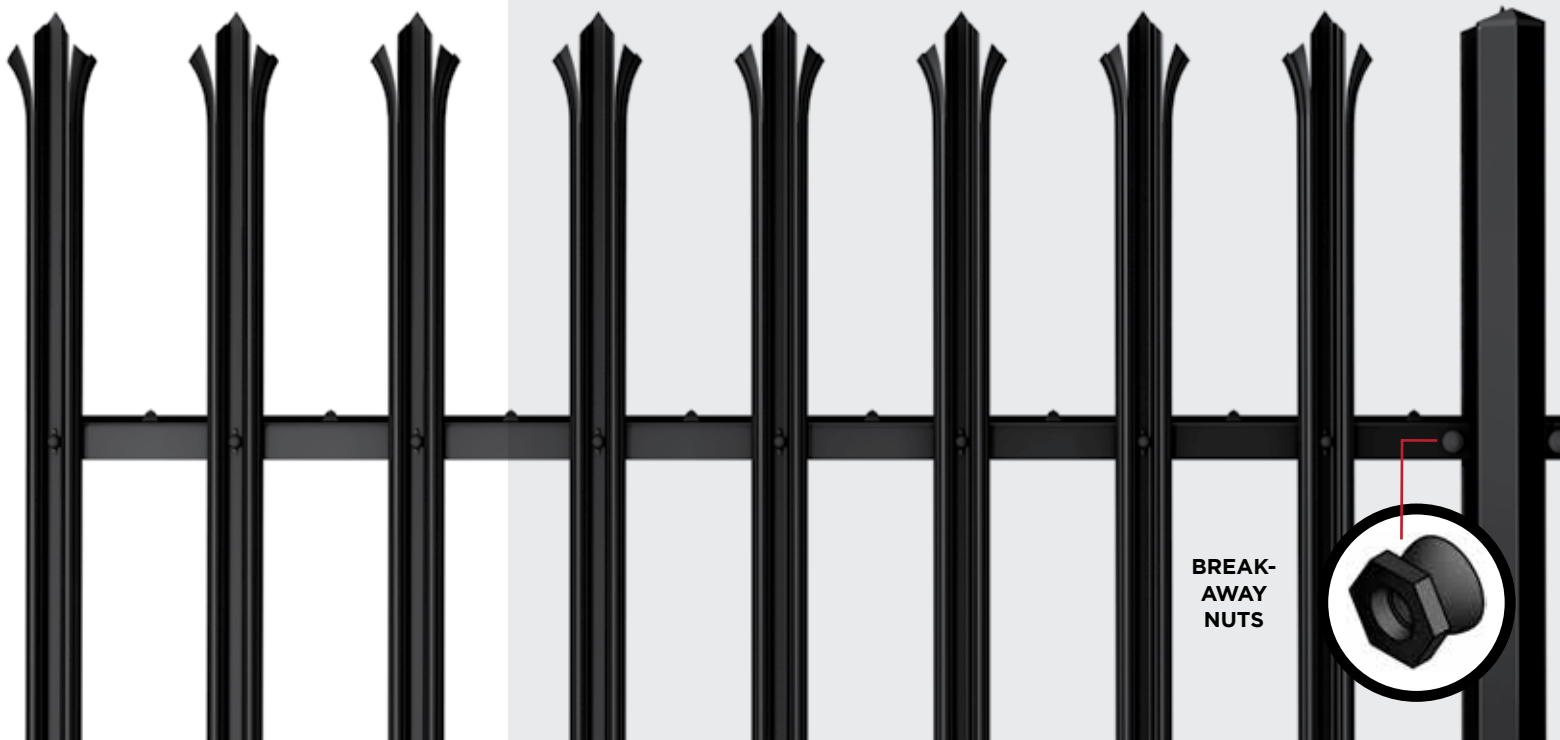
TRIPLE POINT



SPLAYED



ROUNDED



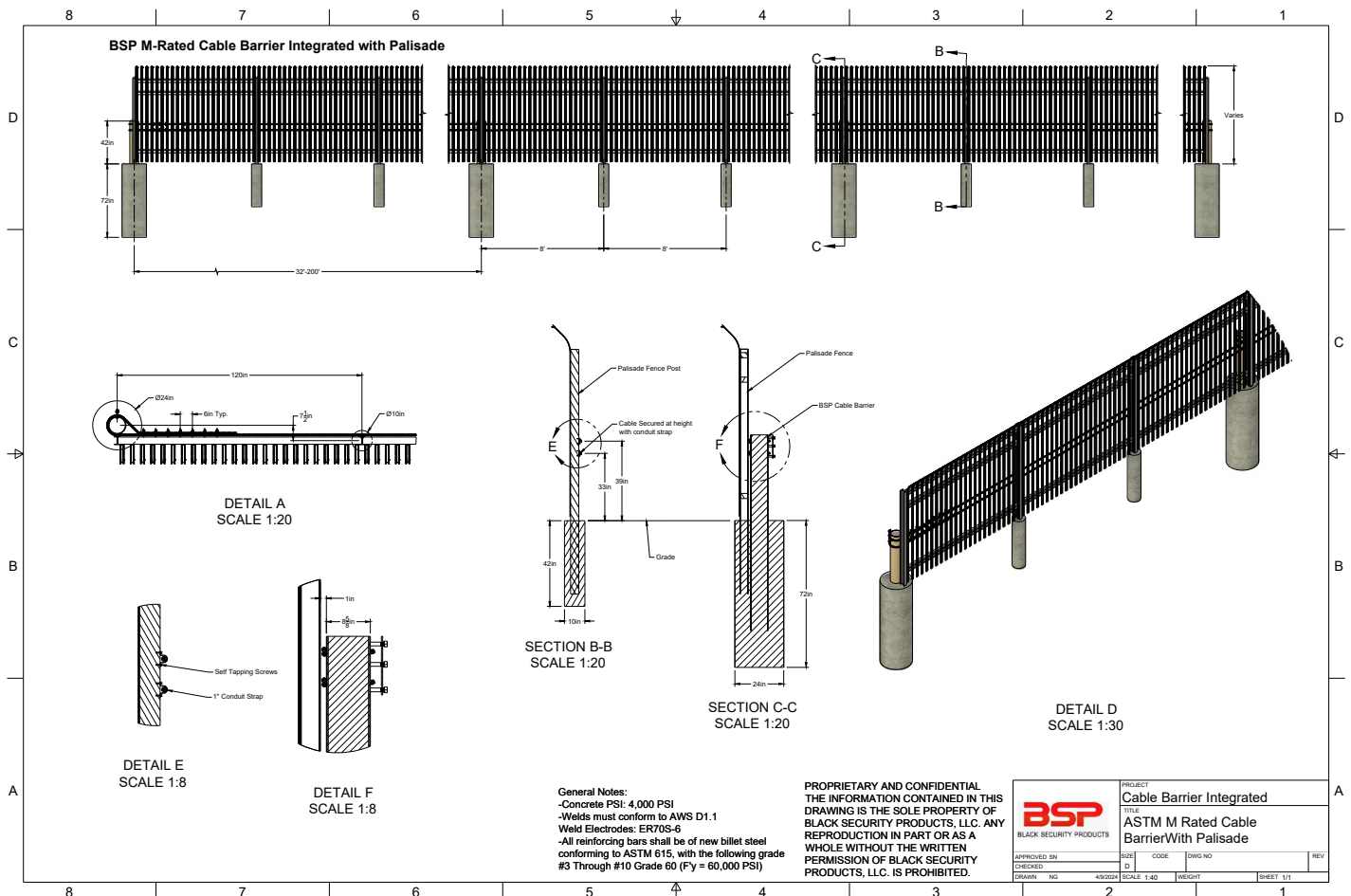
**One of the highest priorities for any organization is to provide a safe and secure environment for people and equipment.**

# BSP

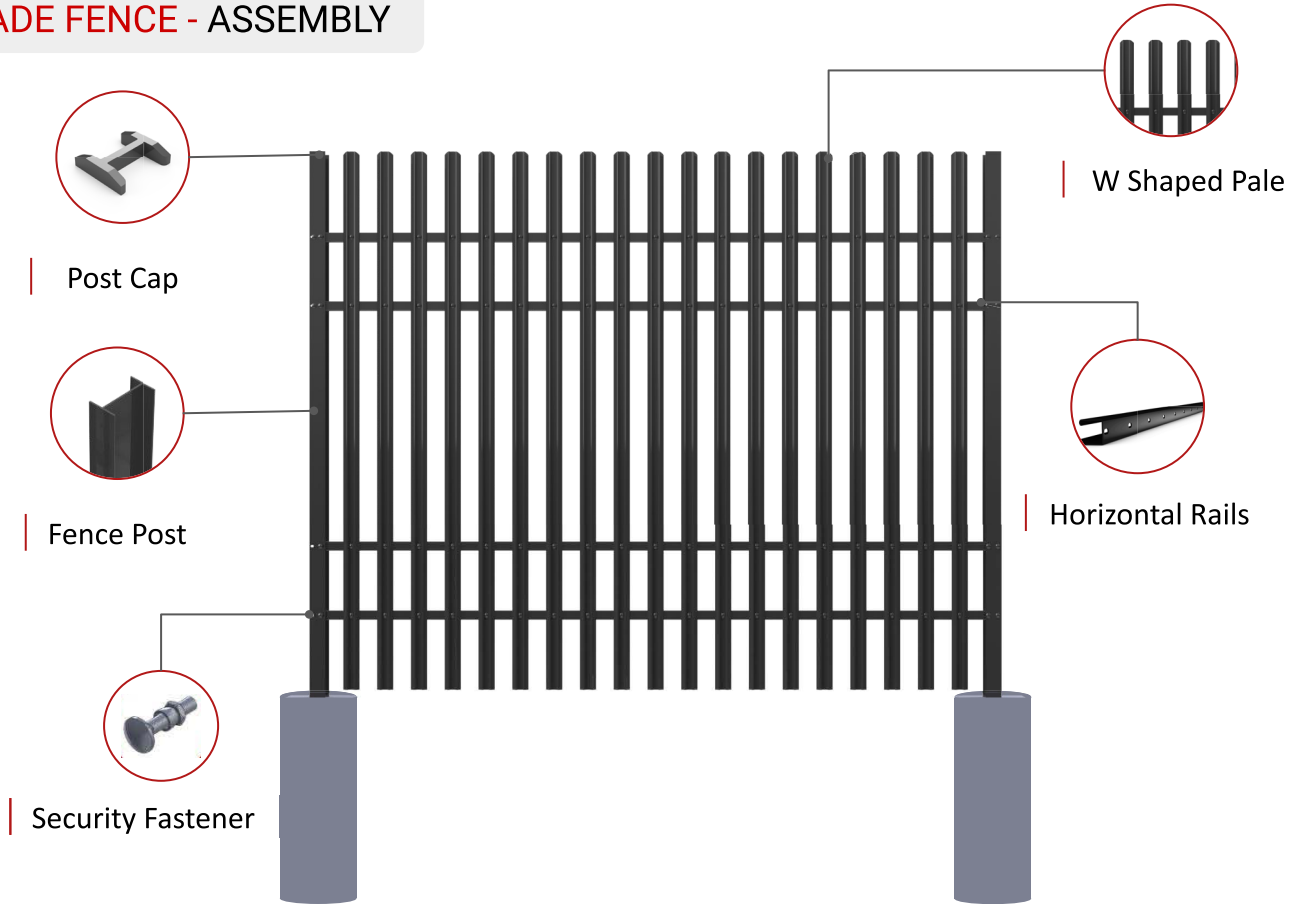
BlackSP.com



Black Security Products Palisade Fence **integrates seamlessly** with our crash rated Anti-Ram Barriers that meet the stringent requirements set by the ASTM F2656 standard test method. Our Anti-Ram cable barriers received a remarkable P1 and P2 rating at the M30 and M50 test level. These passive barriers are certified to safeguard strategic access control points, high-security assets, government facilities, and critical infrastructure from vehicle threats. Combining the Palisade fence with one of our cable barriers creates an added layer of enhanced vehicle protection.

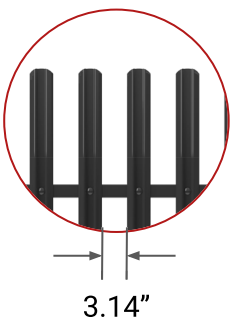


**PALISADE FENCE - ASSEMBLY**

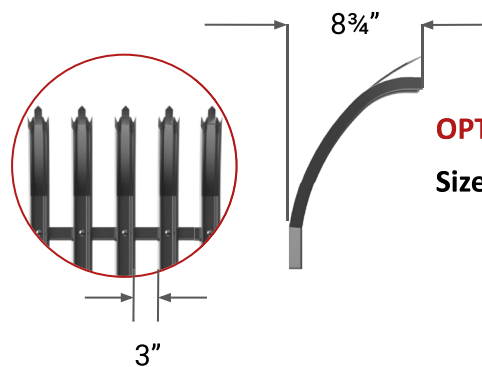


**SPECIFICATIONS**

**Pale Options**



**OPTION A: Straight**  
Mesh Size: 2.75" x 14 ga

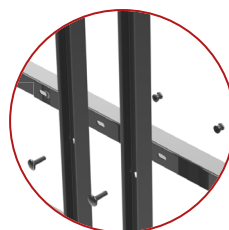


**OPTION B: Top Bend**  
Size: 2.75" x 0.78" 12 ga

**Horizontal Rails**



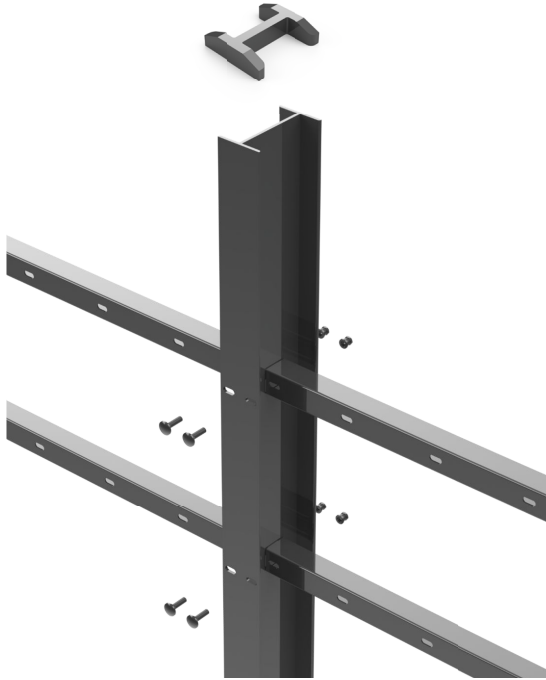
**Type: C-channel**  
Size: 1.75"x 1.75"x 11 ga THK.



Horizontal rail fixing with pales

**FENCE POST**

**I-Beam Section Post**



**Post Size:** I- beam post 5" x 2.75"  
**Available Heights:** Ranging from 4' to 12'  
**Mounting:** Embedded  
**Finish:** Polyester Powder Coated  
**Coating Standard:** BS EN 13438  
**Coating Thickness:** Min. 60 microns (Top Coat)  
**Post Cap:** To suit the post  
**Nut & Bolt:** 5/16 x 1-3/8" Long mushroom head bolt with security nut & washer

Offered in a range of **height options** to meet your specific security needs, providing adaptable protection for everything from low-risk areas to high-security zones.



System Height	No. of Horizontal Rails	Embedment Depth (in)
4ft	2	30
5ft	2	30
6ft	2	30
7ft	4	42
8ft	4	42
9ft	4	48
10ft	4	48
11ft	4	54
12ft	4	54



Unlock the perfect fencing solution for your commercial properties, industrial spaces or high security facilities anywhere in the **USA**! Crafted specifically for the American market, our modular palisade fencing system offers unparalleled security from intrusions keeping your perimeter safe.



Years in the Global Market



Made In **AMERICA**  
Made For **AMERICA**



One Brand  
Diverse Security Solutions



### Palisade Fence

The Palisade Fence is a robust, modular fencing system that features W-shaped pale profiles and utilizes I-beam/SHS posts sections for intermediate and corner posts, providing exceptional stability against impacts and loads. Constructed from hot-dip galvanized steel and available with a powder-coated finish, this fence offers superior corrosion protection, making it suitable for all weather conditions. Its completely modular design eliminates the need for on-site welding or fabrication, ensuring a quick and efficient installation process.



Modular Design



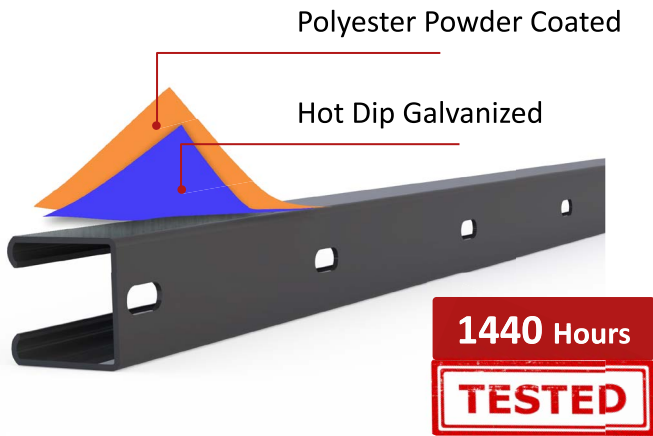
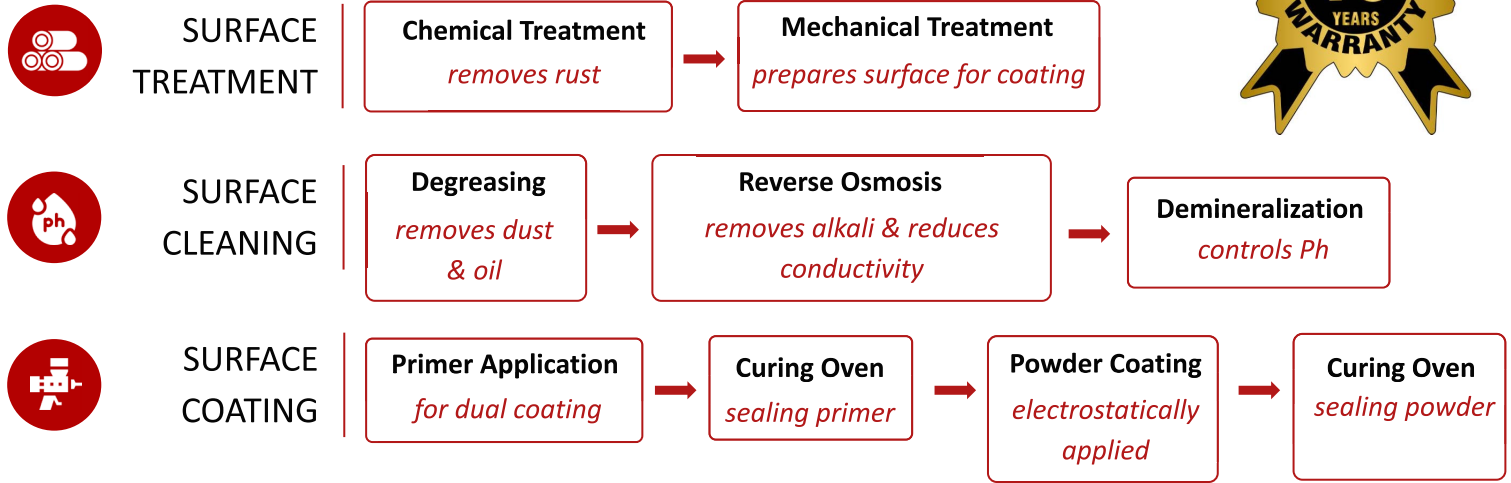
Customizable Pales



Long Life

Safeguard your perimeter in even the harshest environmental conditions with the Black Security Products Palisade Fence, featuring a superior powder coating for enhanced durability.

**Industry Leading Powder Coating Process**



**ASTM A123**  
Standard Specification for Zinc (Hot-Dip Galvanized) Coatings

**BS EN 13438**  
Powder Coating Standard

Customize your perimeter with our wide range of **color options** for the Palisade Fence, providing the perfect balance of visual appeal and robust protection.



*(We can do custom colors with customer provided RAL)*



# BSP

BLACK SECURITY PRODUCTS

Black Security Products is a leading provider of innovative perimeter security solutions with over two decades of experience in the high security domain, making it a trusted provider of ASTM compliant security solutions in the US. With our commitment to innovation and customer satisfaction, Black Security Products is the best choice for your perimeter security needs.



## OFFICE ADDRESS

**Black Security Products**

9727 Tanner Rd. Houston, TX 77041

Tel: 512.926.0800

[sales@blacksp.com](mailto:sales@blacksp.com)